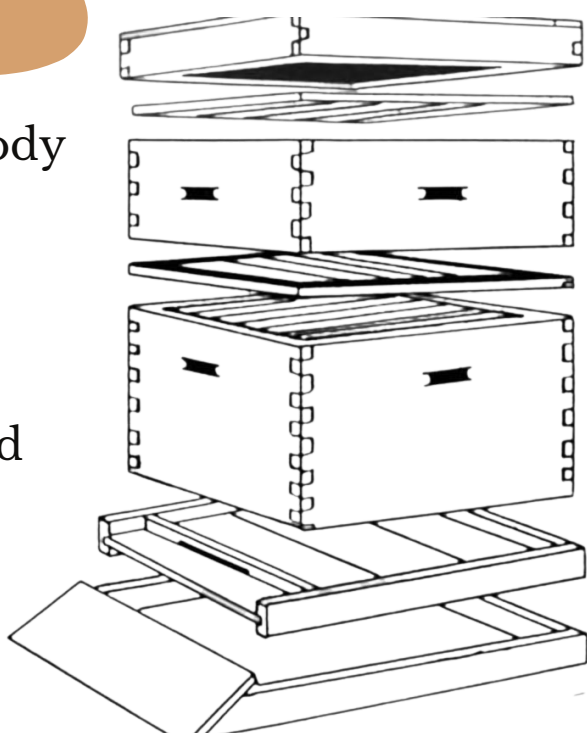


# before you buy your bees

## Get The Hive

- 9<sup>5</sup>/<sub>8</sub>" Assembled Deep Hive Body
- 6<sup>5</sup>/<sub>8</sub>" Assembled Super
- 10 - 9<sup>5</sup>/<sub>8</sub>" Assembled Frames w/Plastic Coated Foundation
- 10 - 6<sup>1</sup>/<sub>4</sub>" Assembled Frames w/Plastic Coated Foundation
- Telescoping Cover w/Notched Inner Cover
- Screened Bottom Board



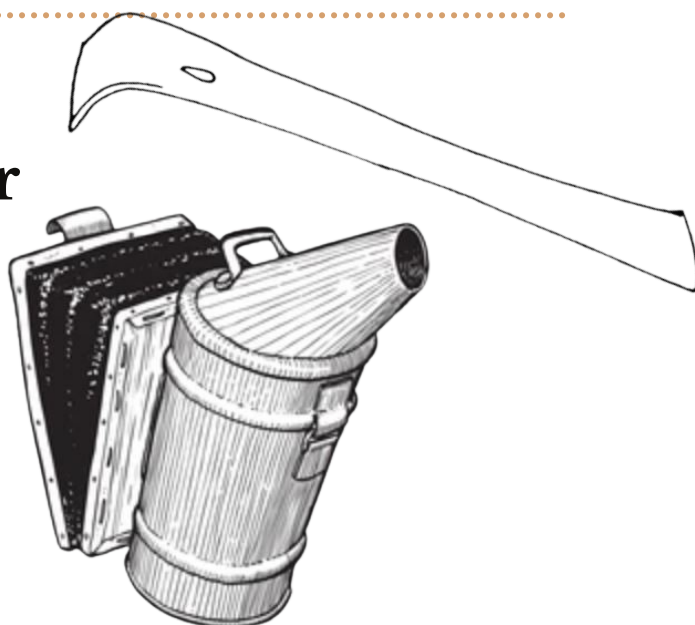
## the Bee Suit,

You'll need a:

- Bee Suit
- Gloves
- Veil

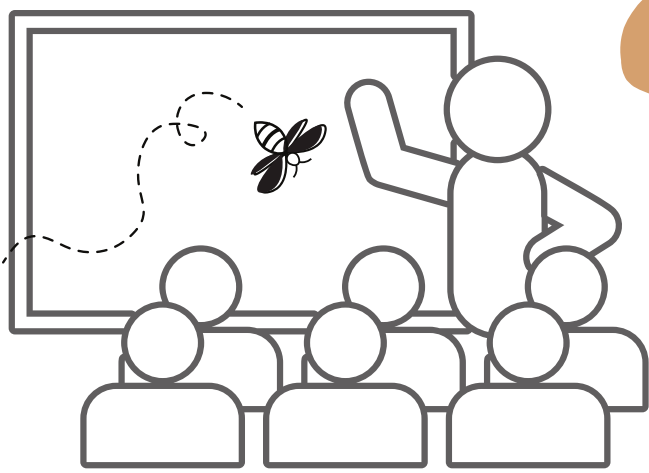
## the Hive Tool + Smoker

- 9" Hive Tool for prying boxes and frames up
- The cool smoke produced by a smoker helps calm the bees, making working with your bees easier.



## Take a Beekeeping Class

There is A LOT to learn about bees! Taking a class before you start will help you be a responsible steward and have a greater impact on their survival. We highly recommend taking a class from a reputable source.



## Now, Get Your Bees!

- Order your 5-frame Bee Nucs (purchase early as quantities are limited)
- Pick up your bees
- Bring your new bees home
- Reach out anytime. We will be here to answer any questions you have along the way.



order

[dancingyarrow.com/bees](https://dancingyarrow.com/bees)